

SKYDROID 云卓

Skydroid 双路抛投器 用户手册

V1.0



泉州云卓科技有限公司

建议:在您阅读本用户手册时,边阅读边操作。您在阅读这些说明时,如遇到困难请查阅**本用户手册**或致电我们售后(400-6996-520)及云卓微信公众平台,云卓官方群:318480806 查看相关问题问答。



云卓官方群2群



云卓微信公众平台

售后服务条款

- 1.本条款仅适用于泉州云卓科技有限公司所生产的产品,云卓授权经销商销售的产品亦适用本条款。
 - 2.本公司产品自购买之日起,一周内经我司核实为非人为造成的质量问题,由云卓承担返修产品的往返快递费,购买云卓产品一周以上一年以内经我司核实为质量问题,用户和云卓各自承担寄出返修产品的快递费。
 - 3.返修时需提供购买凭证和保修卡或网络平台交易记录。
 - 4.云卓产品自购买之日起七天内,在正常使用情况下出现非人为造成的质量问题,外观无损坏,凭保修卡及购机凭证在经销商处协商可以免费更换同型号产品;经销商在收到更换产品时烦请第一时间通知云卓公司予以备案更换。
 - 5.云卓产品将由泉州云卓科技有限公司提供终身售后服务,属于非人为造成的质量问题,一年内免费保修;对于自购买之日起人为的损坏、改装、拆机及超过一年免费保修期的,用户须支付往返邮费及维修费用。
 - 6.为确保您的权益受到保护,并能及时有效的为您服务,请在购买云卓产品时完整填写好保修卡及索要购机凭证。用户享受本售后服务条款必须提供保修卡及购机凭证。
 - 7.返修产品将于云卓公司收到后的 15 个工作日内寄回给顾客,并附上维修报告。
 - 8.以上售后服务条款仅限于中国大陆销售的云卓产品。
- 港澳台及海外客户的售后问题发至邮箱 sales01@skydroid.xin,具体售后细则视情况而定。

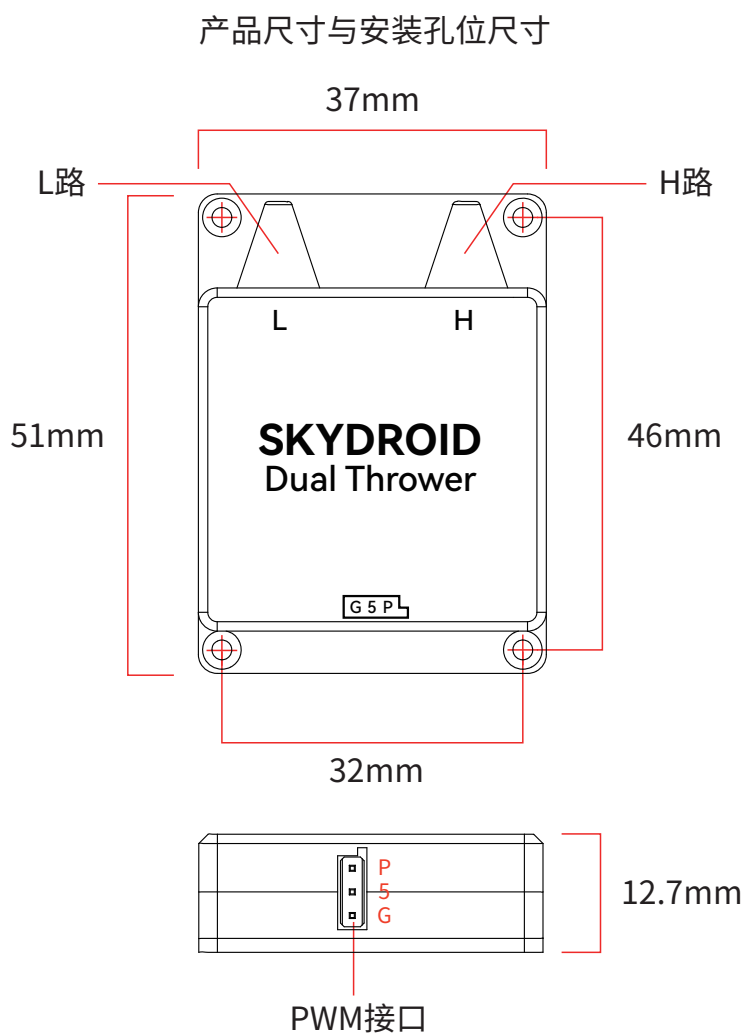
一、产品功能

集成了两个抛投器,可用一路通道分别控制抛投器的旋转。

二、配置清单

| 名称 | 数量 |
|-------------------|----|
| 双路抛投器 | 1 |
| 30CM长3pin舵机线 | 1 |
| 钢圈 | 20 |
| M2*10 304 (平头) 螺丝 | 4 |
| 卡片说明书 | 1 |

三、产品尺寸与接口定义



四、产品参数

| 产品参数 | |
|-----------|------------------|
| 名称 | 双路抛投器 |
| 产品尺寸 | 37mm*51mm*12.7mm |
| 安装孔位尺寸 | 32mm*46mm |
| 重量 | 40g |
| 输入电压 | 4.5~5.5V |
| 电流大小 | 200mA |
| 接收信号 | PWM |
| 单路可挂载最大重量 | 2kg |

五、使用方法

接收PWM信号, 电压输入4.5~5.5V;

通道舵量值<1300时, L路旋转, 旋转时长为5秒;

通道舵量值>1700时, H路旋转, 旋转时长为5秒;

通道舵量值在1300~1700时, L路和H路都会停止。

温馨提示:使用前请仔细阅读操作说明书!



微信公众号

泉州云卓科技全国服务热线
400-6996-520

产品名称:双路抛投器

制造商:泉州云卓科技有限公司

地址:福建省泉州市高新产业园区海西育成基地A幢2楼

邮箱:sales01@skydroid.xin

www.skydroid.xin

Skydroid Dual Throwe User Manual

V1.0



Suggestion: When you read this user manual, operate it at the same time. When you read these instructions, if you encounter difficulties, please refer to this user manual or call our after-sales service (400-6996-520) or visit our WeChat public platform, also, you can visit our official QQ chat group: 318480806 to view related questions and answers.

After sales service terms

1. This clause is only applicable to the products produced by Skydroid, and the products sold by Skydroid authorized dealers are also applicable to this clause.
 2. As of the date of purchase, if the product of our company is verified by our technicians as a quality problem caused by non-human factors within one week, Skydroid shall afford the shipping fee for the repaired product. If the Skydroid product is verified as a quality problem by our technicians within one week and one year after purchase, the user and Skydroid shall afford the shipping fee for sending the repaired product respectively.
 3. Purchase voucher and warranty card or on-line transaction record shall be provided when repairing.
 4. Within 7 days from the date of purchase, Skydroid products have quality problems that are not caused by human activities under normal use, and the appearance is not damaged. With the warranty card and purchase proof, the users can negotiate to replace products of the same model for free from our local dealers; When receiving the replacement product, the dealer is kindly requested to inform Skydroid of the replacement at the first time.
 5. Skydroid will provide lifelong after-sales service for Skydroid products. If the quality problem is caused by non-human factors, it will be guaranteed free of charge within one year; The user shall pay the round-trip shipping and maintenance fees for man-made damage, modification, dismantling and exceeding the one-year free warranty period from the date of purchase.
 6. To ensure your rights and interests are protected and that you can be served in a timely and effective manner, please complete the warranty card and ask for the purchase voucher when purchasing Skydroid products. Users shall provide warranty card and purchase certificate to enjoy the after-sales service terms.
 7. The repaired products will be sent back to the customer within 15 working days after receiving by Skydroid, and the repair report will be enclosed.
 8. The above after-sales service terms are limited to Skydroid products sold in Chinese Mainland. Send the after-sales problems of Hong Kong, Macao, Taiwan and overseas customers to the email: sales01@skydroid.xin
- The specific after-sales rules depend on the situations.

A.Functions

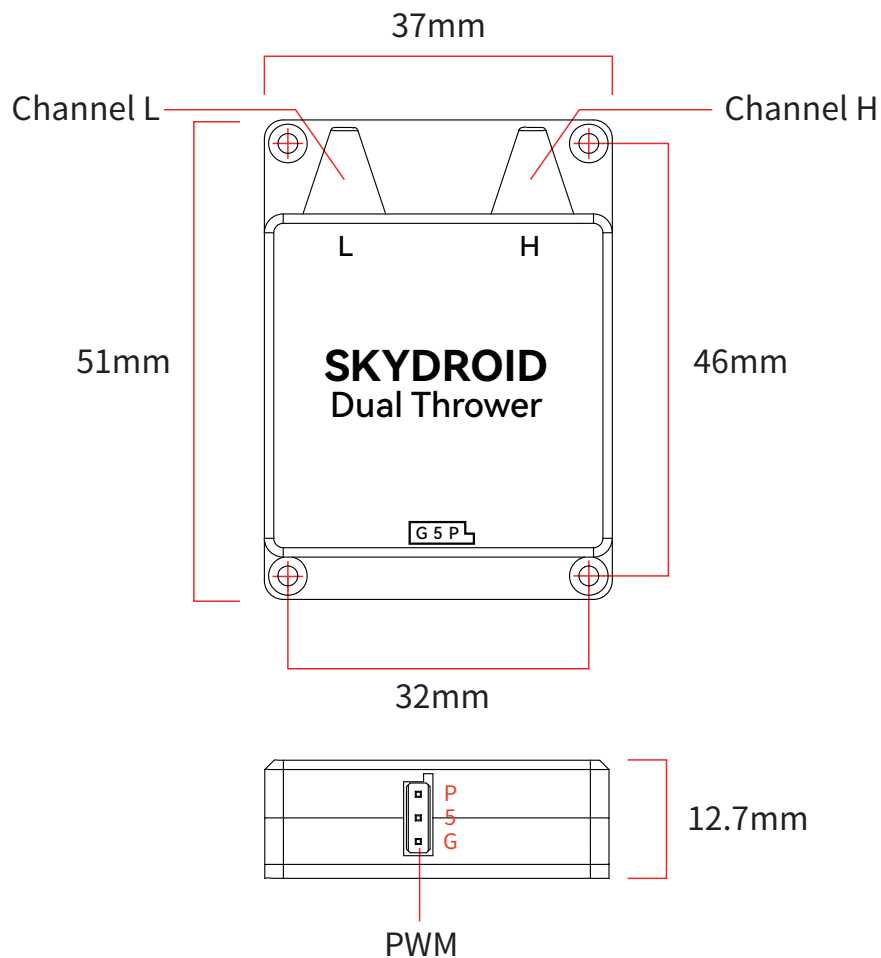
Two throwers are integrated, and one channel can control the rotation of the thrower separately.

B.Configuration List

| Name | Quantity |
|-------------------------------|----------|
| Dual Thrower | 1 |
| 30cm long 3-pin servo cable | 1 |
| Steel ring | 20 |
| M2 * 10 304 (flat head) screw | 4 |
| Instruction Manual Card | 1 |

C.Dimensions and interface definitions

Product size and fixing hole position size



D.Product parameters

| Product parameters | |
|--------------------------------|------------------|
| Name | Dual Thrower |
| Product Size | 37mm*51mm*12.7mm |
| Fixing hole position size | 32mm*46mm |
| Weight | 40g |
| Input voltage | 4.5~5.5V |
| Current | 200mA |
| Receiving signals | PWM |
| Max payload for single thrower | 2kg |

E.How to use

Receive PWM signal with input voltage of 4.5~5.5v;

When the channel rudder value is <1300, the Channel L rotates for 5 seconds;

When the channel rudder value is >1700, the Channel H rotates for 5 seconds;

When the channel rudder value is between 1300 and 1700, both Channel L and Channel H will stop.

Tips: Please read the user manual carefully before use!



WeChat public account

**Skydroid after-sales service hot line:
400-6996-520**

Product name: Dual Throwe

Manufacture: Skydroid Co.,Ltd

2nd/F, Building A, Haixi Yucheng Basement, High-tech Industrial Park,
Quanzhou, Fujian,China

Email:sales01@skydroid.xin

www.skydroid.xin